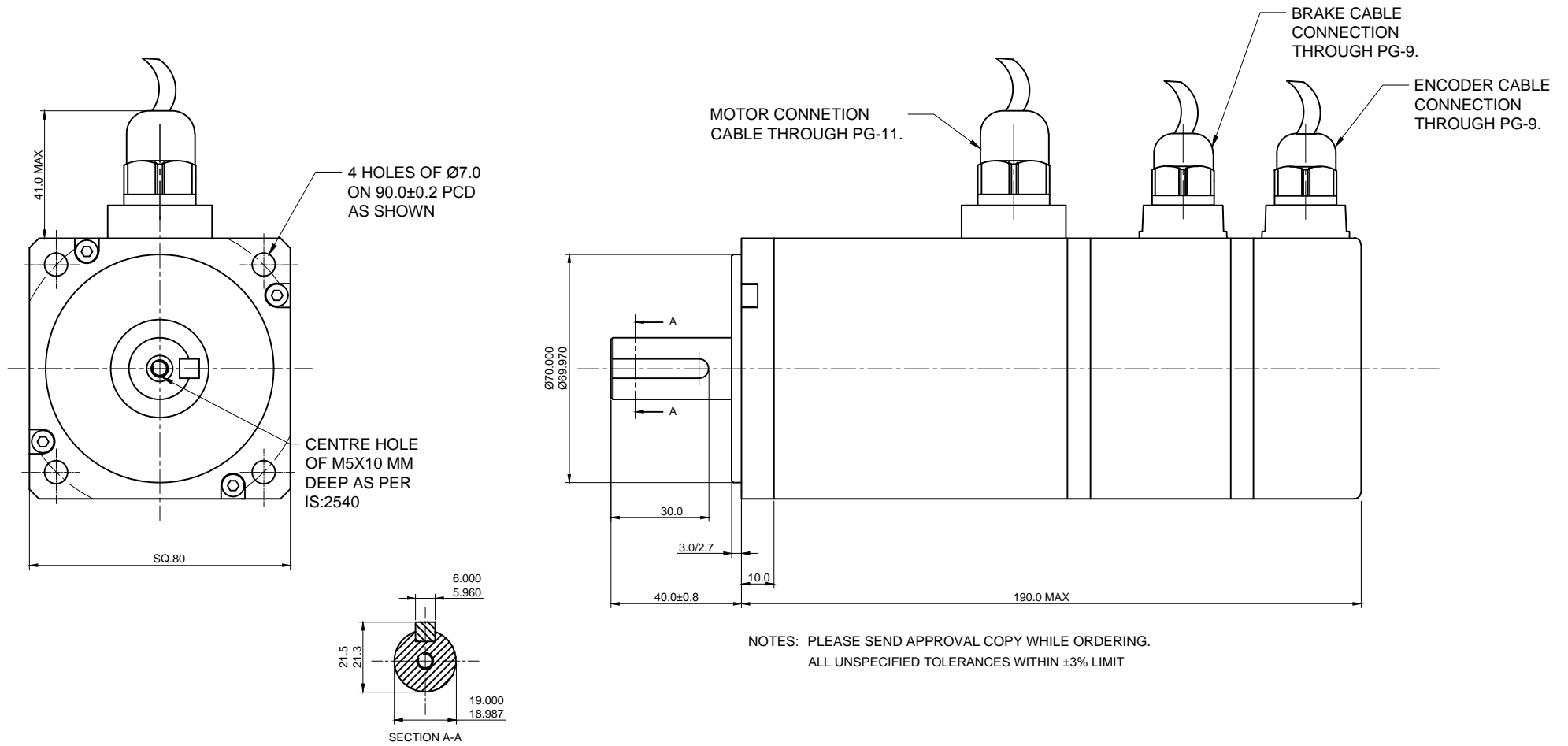


DO NOT SCALE THE DRAWING.

ALL DIMENSIONS IN M.M.

REMOVE SHARP EDGES.

IF IN DOUBT ASK



				MODEL: 080-750-XXX-XX-X-X	WEIGHT: 3.5 Kg	DRN.	SKT		07-05-2020	
				Manufactured by- Movematic D-52/12, MIDC Waluj, Aurangabad-431 136 Maharashtra (INDIA)		CKD.	CVH			
								APPD.	CVH	
						TITLE: <u>OUTLINE DRAWING OF 750W WITH BRAKE</u>				DRG.NO.: <u>080L00003/0</u>
INDEX	REVISION	DATE	SIGN							